

1.1 System Dimensions
SCALE: N.T.S.

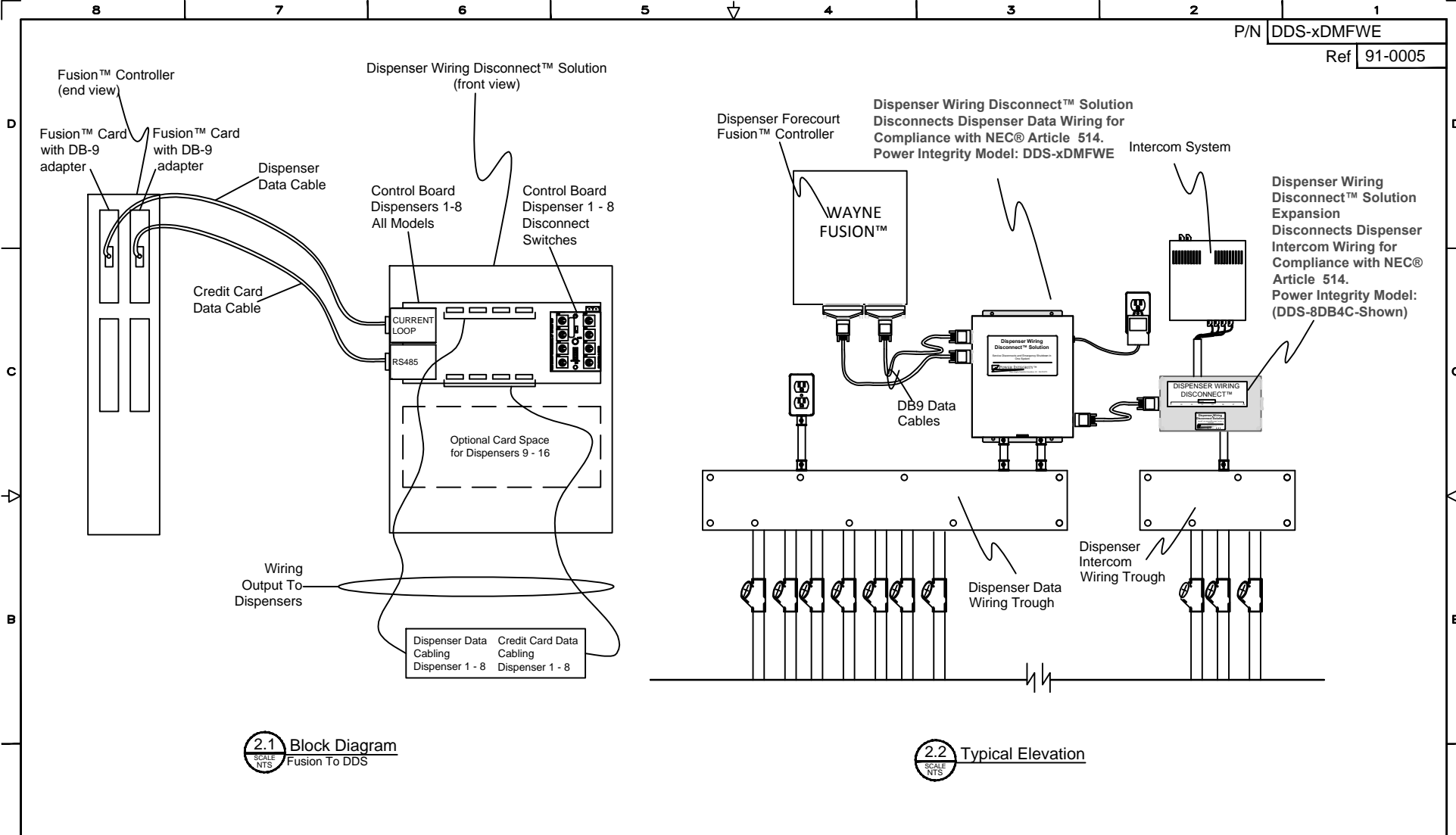
Models:

DDS-8DMFWE
Primary Low Voltage Dispenser Wiring Disconnect™ Solution for Fusion™ 8 Dispenser

DDS-16DMFWE
Primary Low Voltage Dispenser Wiring Disconnect™ Solution for Fusion™ 16 Dispenser

NEC, National Electrical Code and NFPA 70 are Registered Trademarks of the National Fire Protection Association, Fusion is a Trademark of Wayne Inc.

REV	BY	DESCRIPTION	DATE	THIS DRAWING AND THE INFORMATION THEREIN IS CONFIDENTIAL AND THE PROPERTY OF POWER INTEGRITY CORP. THIS CONFIDENTIAL INFORMATION IS DISCLOSED TO YOU ON THE CONDITION THAT IT NOT BE DISCLOSED TO ANYONE OTHER THAN A POWER INTEGRITY EMPLOYEE AND NOT BE REPRODUCED IN WHOLE OR IN PART WITHOUT THE WRITTEN AUTHORIZATION OF POWER INTEGRITY CORPORATION.	TOLERANCES UNLESS OTHERWISE SPECIFIED .XXX=±.005 .XX=±.015 .X=±.03 FRACTIONS=±1/64 DEGREES=±2' DIMENSIONS IN INCHES	POWER INTEGRITY Corporation 1834 PEMBROKE ROAD GREENSBORO, N.C. 27408 PH: 336-379-9773 FAX: 336-379-1301 www.powerintegritycorp.com	DESCRIPTION: Dispenser Wiring Disconnect™ Solution EXTENDED DESC.: Application Drawing for DDS-xDMFWE, Dresser Wayne Fusion™ Dispenser Wiring Product Overview
O	JF	New Release	10/17/2009				
A	JA	Add Page 3 & Text Correction	06/19/2013				
A.1	JA	Text Corrections & Add™ Symbol	08/20/2013				
-	-	-	-				
-	-	-	-				
-	-	-	-				
SCALE: N.T.S.			DATE: 10/14/2009	SHEET: 1 of 3		P/N: DDS-xDMFWE REV. A.1	



REV	BY	DESCRIPTION	DATE
O	JF	New Release	10/17/2009
A	JA	Add Page 3 & Text Correction	06/19/2013
A.1	JA	Text Corrections & Add™ Symbol	08/20/2013
.	.	.	.
.	.	.	.
.	.	.	.

THIS DRAWING AND THE INFORMATION THEREIN IS CONFIDENTIAL AND THE PROPERTY OF POWER INTEGRITY CORP. THIS CONFIDENTIAL INFORMATION IS DISCLOSED TO YOU ON THE CONDITION THAT IT NOT BE DISCLOSED TO ANYONE OTHER THAN A POWER INTEGRITY EMPLOYEE AND NOT BE REPRODUCED IN WHOLE OR IN PART WITHOUT THE WRITTEN AUTHORIZATION OF POWER INTEGRITY CORPORATION.

TOLERANCES UNLESS OTHERWISE SPECIFIED
.XXX=±.005
.XX=±.015
.X=±.03
FRACTIONS=±1/64
DEGREES=±2°
DIMENSIONS IN INCHES

POWER INTEGRITY
Corporation

1834 PEMBROKE ROAD
GREENSBORO, N.C. 27408

PH: 336-379-9773
FAX: 336-379-1301

www.powerintegritycorp.com

DESCRIPTION: Dispenser Wiring Disconnect™ Solution

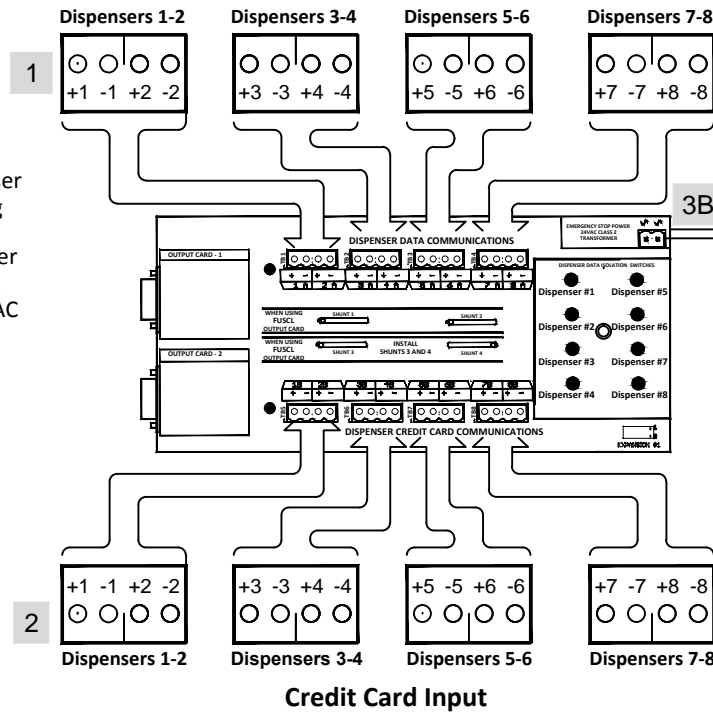
EXTENDED DESC.:
Application Drawing for DDS-xDMFWE, Dresser Wayne Fusion™ Dispenser Wiring Product Overview

SCALE: N.T.S. DATE: 10/14/2009 SHEET: 2 of 3

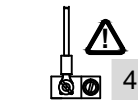
P/N: DDS-xDMFWE REV. A.1

Connections

- 1** Connecting the Dispenser Data Wiring
- 2** Connecting the Dispenser Credit Card Data Wiring
- 3A** Low Voltage Transformer
Primary: 120VAC, 60Hz, 0.41A; Secondary: 24VAC
- 3B** E-Stopped Low Voltage Input Power Wiring.
(24VAC From Class 2 Transformer)
- 4** Connecting Point for Grounding Conductor



Remote Transformer:
Output 18-24 VAC Max
100ma Minimum, Class 2
Transformer is to be
Connected to an
AC Outlet/Circuit
Controlled by the
Emergency Stop System



!! CAUTION !!: The Data Protector must be grounded in order to provide protection.

For the Data Circuit Protectors to function properly they must be connected to a suitable ground. A #10 ground wire should be connected from the ground bar and be connected to the electrical system ground electrode. The ground conductor should be routed as short as possible.

Before installing this equipment, the installer must read and follow this manual, the NEC® (National Electrical Code®) NFPA 70® and the Code for Motor Fuel Dispensing Facilities and Repair Garages, NFPA® 30A.

For use with peripheral equipment as specified in the installation instructions.

See Installation Instructions.

Powered Only from NEC® Class 2 or Class 2 Equivalent Circuits per UL 1238, 5th Edition.

3.1 System Wiring
SCALE N.T.S.

REV	BY	DESCRIPTION	DATE	THIS DRAWING AND THE INFORMATION THEREIN IS CONFIDENTIAL AND THE PROPERTY OF POWER INTEGRITY CORP. THIS CONFIDENTIAL INFORMATION IS DISCLOSED TO YOU ON THE CONDITION THAT IT NOT BE DISCLOSED TO ANYONE OTHER THAN A POWER INTEGRITY EMPLOYEE AND NOT BE REPRODUCED IN WHOLE OR IN PART WITHOUT THE WRITTEN AUTHORIZATION OF POWER INTEGRITY CORPORATION.	TOLERANCES UNLESS OTHERWISE SPECIFIED .XXX=±.005 .XX=±.015 .X=±.03 FRACTIONS=± 1/64 DEGREES=±2° DIMENSIONS IN INCHES	POWER INTEGRITY Corporation 1834 PEMBROKE ROAD GREENSBORO, N.C. 27408 PH: 336-379-9773 FAX: 336-379-1301 www.powerintegritycorp.com	DESCRIPTION: Dispenser Wiring Disconnect™ Solution EXTENDED DESC.: Application Drawing for DDS-xDMFWE, Dresser Wayne Fusion™ Dispenser Wiring Product Overview SCALE: N.T.S. DATE: 10/14/2009 SHEET: 3 of 3 P/N: DDS-xDMFWE REV. A.1
0	JF	New Release	10/17/2009				
A	JA	Add Page 3 & Text Correction	06/19/2013				
A.1	JA	Text Corrections & Add™ Symbol	08/20/2013				
.	.	.	.				
.	.	.	.				
.	.	.	.				