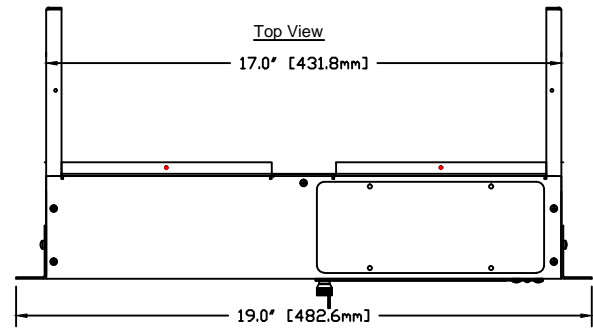
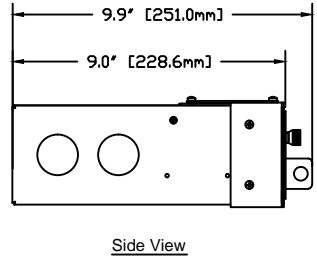


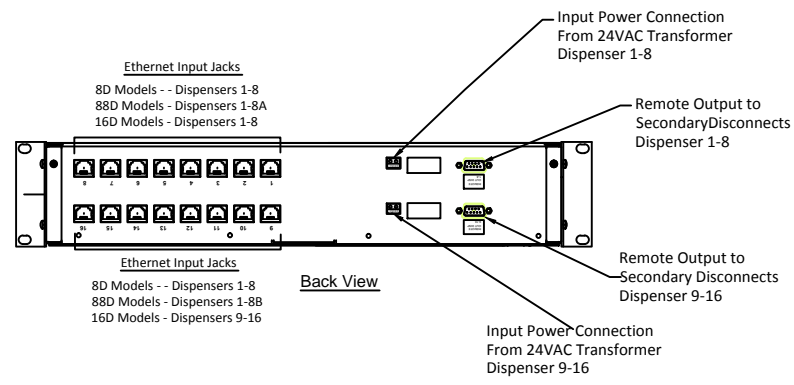
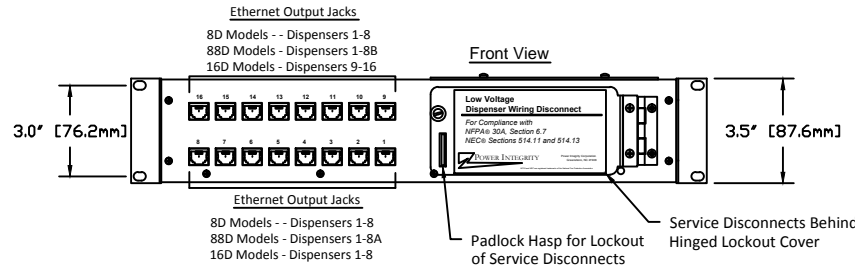
P/N **DDS-ERPxxD**  
 Ref 91-0012

**1** System Dimensions  
 SCALE N.T.S.



Model	Description
DDS-ERP8D	Primary Disconnect Rack Mount For Up to 8 Dispensers 1 Ethernet Circuit per Dispenser
DDS-ERP88D	Primary Disconnect Rack Mount For Up to 8 Dispensers (2 Each) 1 Ethernet Circuit per Dispenser
DDS-ERP16D	Primary Disconnect Rack Mount For Up to 16 Dispensers 1 Ethernet Circuit per Dispenser

**2** Model Numbers  
 SCALE N.T.S.



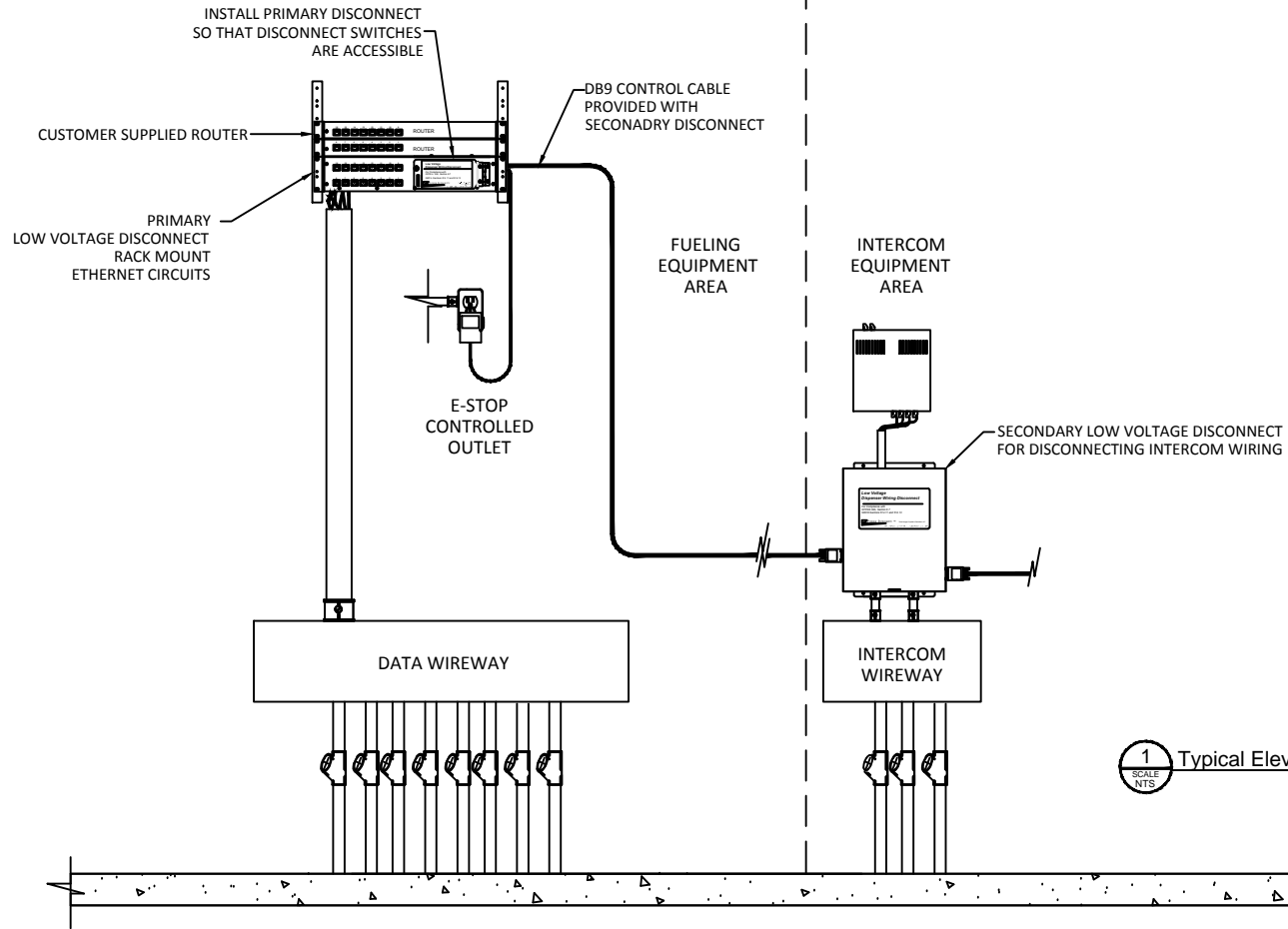
REV	BY	DESCRIPTION	DATE
O	JF	New Release	10/13/2011
A	JF	Add Sheet 2	04/26/2012
B	JA	Add Sheet 3	06/28/2013
-	-	-	-
-	-	-	-
-	-	-	-

THIS DRAWING AND THE INFORMATION THEREIN IS CONFIDENTIAL AND THE PROPERTY OF POWER INTEGRITY CORP. THIS CONFIDENTIAL INFORMATION IS DISCLOSED TO YOU ON THE CONDITION THAT IT NOT BE DISCLOSED TO ANYONE OTHER THAN A POWER INTEGRITY EMPLOYEE AND NOT BE REPRODUCED IN WHOLE OR IN PART WITHOUT THE WRITTEN AUTHORIZATION OF POWER INTEGRITY CORPORATION.

TOLERANCES UNLESS OTHERWISE SPECIFIED  
 .XX=±.005  
 .XX=±.015  
 .X=±.03  
 FRACTIONS=± 1/64  
 DEGREES=±2'  
 DIMENSIONS IN INCHES

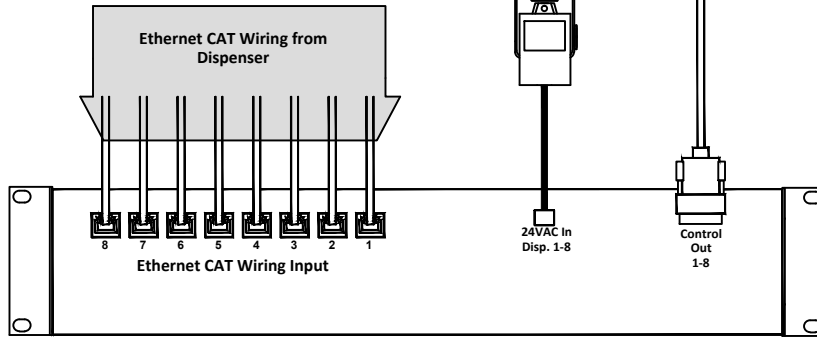
**POWER INTEGRITY**  
 Corporation  
 1834 PEMBROKE ROAD  
 GREENSBORO, N.C. 27408  
 PH: 336-379-9773  
 FAX: 336-379-1301  
 www.powerintegritycorp.com

DESCRIPTION: Dispenser Wiring Disconnect		
EXTENDED DESC.: Application Drawing for DDS-ERPxxD Primary Disconnect for Ethernet to Dispensers (Rackmount)		
SCALE: N.T.S.	DATE: 10/13/2013	SHEET: 1 of 3
P/N: DDS-ERPxxD		REV: B

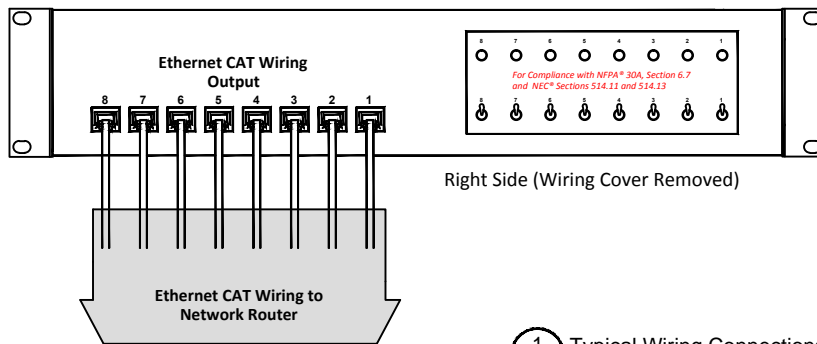


REV	BY	DESCRIPTION	DATE	THIS DRAWING AND THE INFORMATION THEREIN IS CONFIDENTIAL AND THE PROPERTY OF POWER INTEGRITY CORP. THIS CONFIDENTIAL INFORMATION IS DISCLOSED TO YOU ON THE CONDITION THAT IT NOT BE DISCLOSED TO ANYONE OTHER THAN A POWER INTEGRITY EMPLOYEE AND NOT BE REPRODUCED IN WHOLE OR IN PART WITHOUT THE WRITTEN AUTHORIZATION OF POWER INTEGRITY CORPORATION.	TOLERANCES UNLESS OTHERWISE SPECIFIED .XX=±.005 .XX=±.015 .X=±.03 FRACTIONS=± 1/64 DEGREES=±2° DIMENSIONS IN INCHES	POWER INTEGRITY Corporation 1834 PEMBROKE ROAD GREENSBORO, N.C. 27408 PH: 336-379-9773 FAX: 336-379-1301 www.powerintegritycorp.com	DESCRIPTION: Dispenser Wiring Disconnect EXTENDED DESC.: Application Drawing for DDS-ERPxxD Primary Disconnect for Ethernet to Dispensers (Rackmount) SCALE: N.T.S. DATE: 10/13/2013 SHEET: 2 of 3 P/N: DDS-ERPxxD REV. B
O	JF	New Release	10/13/2011				
A	JF	Add Sheet 2	04/26/2012				
B	JA	Add Sheet 3	06/28/2013				
.	.	.	.				
.	.	.	.				
.	.	.	.				

**PRIMARY  
LOW VOLTAGE DISPENSER WIRING  
DISCONNECT  
For Dispensers 1-8 CAT5  
Power Integrity Model: DDS-ERP8D**



Left Side (Wiring Cover Removed)



Right Side (Wiring Cover Removed)

1 Typical Wiring Connections  
SCALE NTS

**Primary Low Voltage Disconnect - CAT5 Model: (DDS-ERP8D)**

**Install Equipment:**

- Securely attach to the wall using appropriate fasteners.

**Make Connections:**

- Identify the wires connected to each dispenser or fueling positions.
- There is 1 Ethernet cable per dispenser. Some dispensers may have a second Ethernet Cable.

**Step - 1:** Connect the wiring from the dispenser to the DDS.

- Connect the Ethernet cable from the Input Dispenser #1 to the #1 position jack in the back of the Primary Disconnect.

**Step - 2:** Connect the wiring from the DDS to the Network Router

- Connect an Ethernet patch cable from the Output #1 Position Jack on the front of the Primary Disconnect to the network router.
- Repeat steps 1 and 2 listed above to connect the remaining fuel dispensers.

**Connect DB9 Control Cable (As Required)**

- Secondary Disconnects are used to allow the Primary Disconnect to Disconnect Additional circuits such as Intercoms.
- Secondary Disconnects are powered and controlled by the Primary Disconnect by using a DB9 control cable.
- Connect the DB9 cable provide with the Secondary Disconnect to the Control Out connector of the Primary Disconnect or a previous Secondary Disconnect and the Control In connector of the Secondary Disconnect.

REV	BY	DESCRIPTION	DATE	THIS DRAWING AND THE INFORMATION THEREIN IS CONFIDENTIAL AND THE PROPERTY OF POWER INTEGRITY CORP. THIS CONFIDENTIAL INFORMATION IS DISCLOSED TO YOU ON THE CONDITION THAT IT NOT BE DISCLOSED TO ANYONE OTHER THAN A POWER INTEGRITY EMPLOYEE AND NOT BE REPRODUCED IN WHOLE OR IN PART WITHOUT THE WRITTEN AUTHORIZATION OF POWER INTEGRITY CORPORATION.	TOLERANCES UNLESS OTHERWISE SPECIFIED .XX=±.005 .XX=±.015 .X=±.03 FRACTIONS=± 1/64 DEGREES=±2° DIMENSIONS IN INCHES	POWER INTEGRITY Corporation 1834 PEMBROKE ROAD GREENSBORO, N.C. 27408 PH: 336-379-9773 FAX: 336-379-1301 www.powerintegritycorp.com	DESCRIPTION: Dispenser Wiring Disconnect EXTENDED DESC.: Application Drawing for DDS-ERPxxD Primary Disconnect for Ethernet to Dispensers (Rackmount) SCALE: N.T.S. DATE: 10/13/2013 SHEET: 3 of 3 P/N: DDS-ERPxxD REV. B
0	JF	New Release	10/13/2011				
A	JF	Add Sheet 2	04/26/2012				
B	JA	Add Sheet 3	06/28/2013				
-	-	-	-				
-	-	-	-				
-	-	-	-				