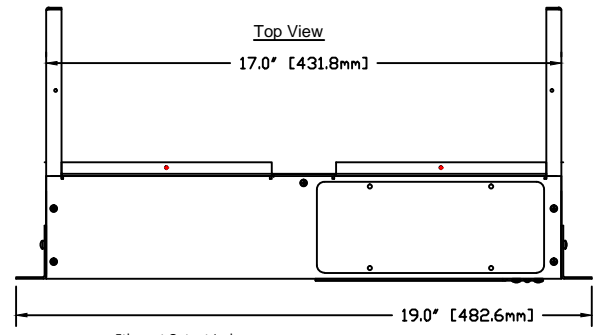
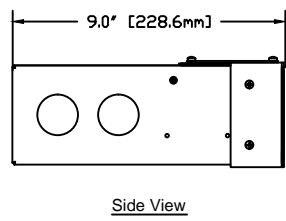


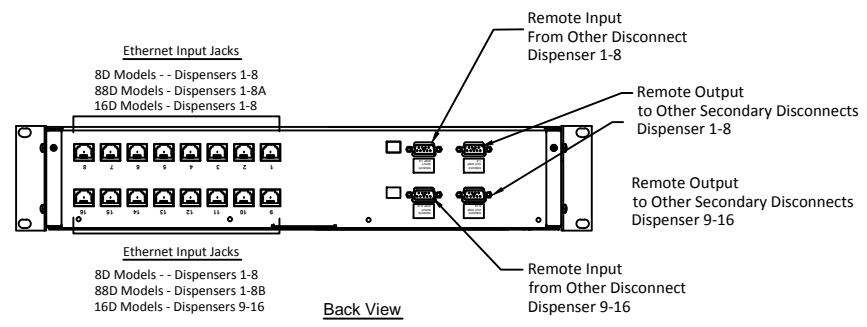
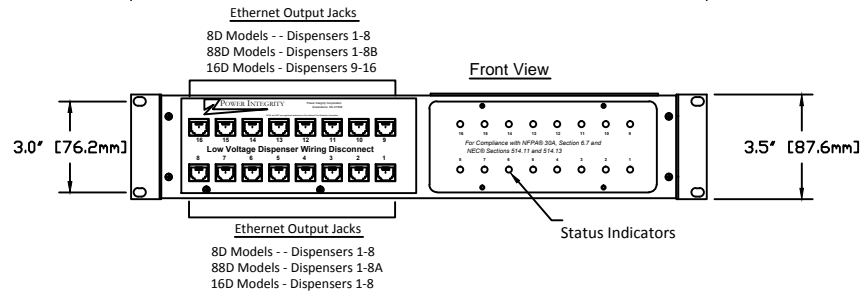
P/N **DDS-ERSxxD**
 Ref **91-0014**

1 System Dimensions
 SCALE N.T.S.



Model	Description
DDS-ERS8D	Secondary Disconnect Rack Mount For Up to 8 Dispensers 1 Ethernet Circuit per Dispenser
DDS-ERS88D	Secondary Disconnect Rack Mount For Up to 8 Dispensers (2 Each) 1 Ethernet Circuit per Dispenser
DDS-ERS16D	Secondary Disconnect Rack Mount For Up to 16 Dispensers 1 Ethernet Circuit per Dispenser

2 Model Numbers
 SCALE N.T.S.



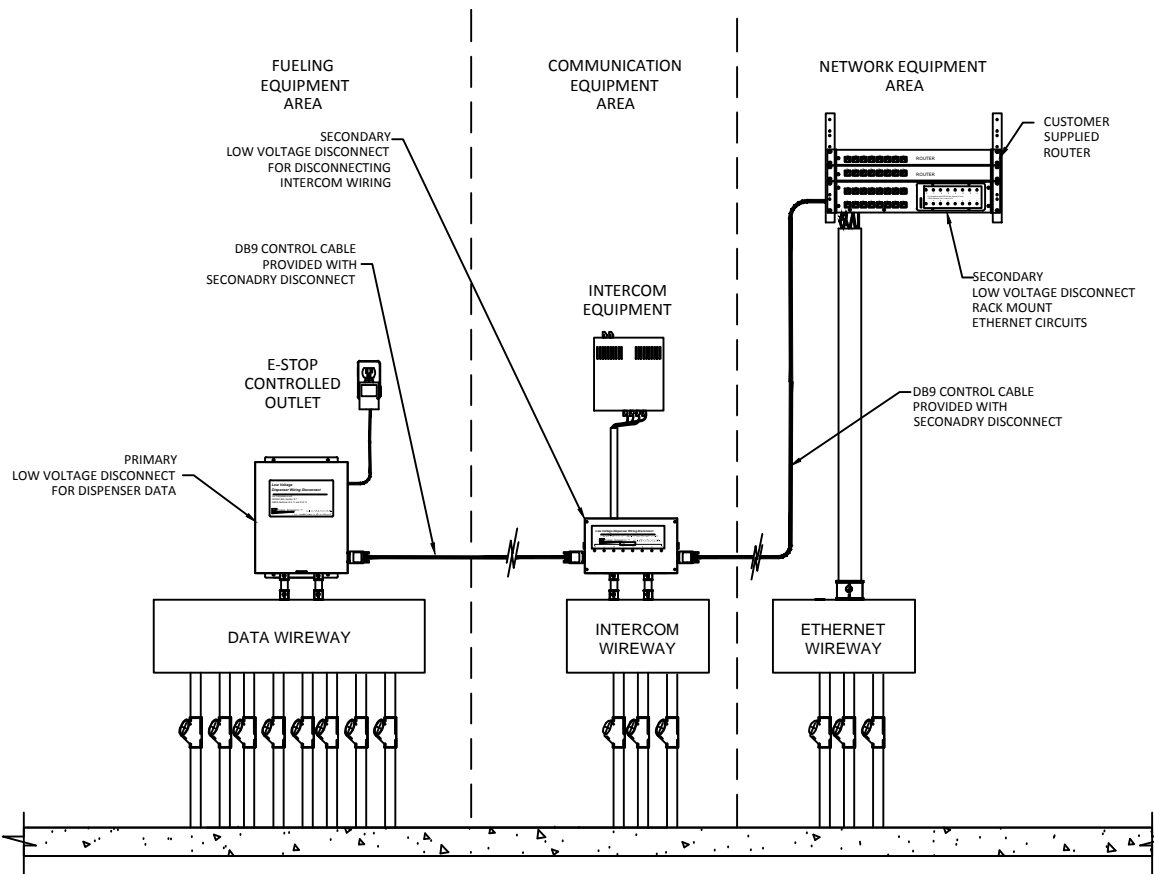
REV	BY	DESCRIPTION	DATE
O	JF	New Release	10/13/2011
A	JF	Add Page 2	09/06/2012
B	JA	Add Page 3 & Text Updates	07/02/2013
-	-	-	-
-	-	-	-
-	-	-	-

THIS DRAWING AND THE INFORMATION THEREIN IS CONFIDENTIAL AND THE PROPERTY OF POWER INTEGRITY CORP. THIS CONFIDENTIAL INFORMATION IS DISCLOSED TO YOU ON THE CONDITION THAT IT NOT BE DISCLOSED TO ANYONE OTHER THAN A POWER INTEGRITY EMPLOYEE AND NOT BE REPRODUCED IN WHOLE OR IN PART WITHOUT THE WRITTEN AUTHORIZATION OF POWER INTEGRITY CORPORATION.

TOLERANCES UNLESS OTHERWISE SPECIFIED
 .XX=±.005
 .XX=±.015
 .X=±.03
 FRACTIONS=± 1/64
 DEGREES=±2°
 DIMENSIONS IN INCHES

POWER INTEGRITY
 Corporation
 1834 PEMBROKE ROAD
 GREENSBORO, N.C. 27408
 PH: 336-379-9773
 FAX: 336-379-1301
 www.powerintegritycorp.com

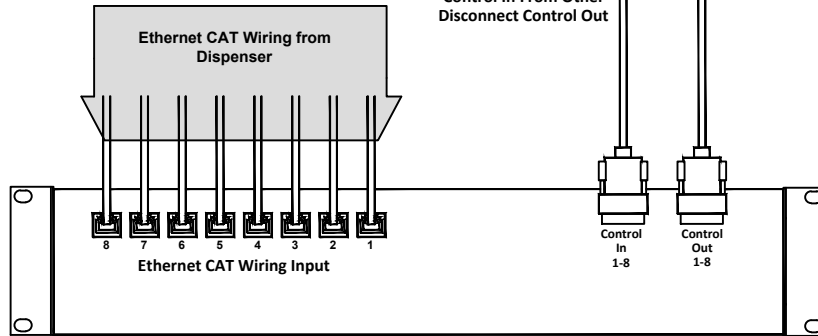
DESCRIPTION: Dispenser Wiring Connection		
EXTENDED DESC.: Application Drawing for DDS-ERSxxD Secondary Disconnect for Ethernet to Dispensers (Rack Mount)		
SCALE: N.T.S.	DATE: 10/13/2011	SHEET: 1 of 3
P/N: DDS-ERSxxD		REV: B



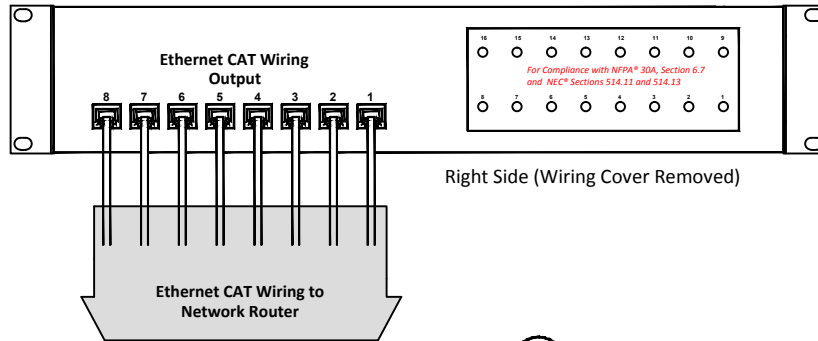
1 Typical Elevation
 SCALE: N.T.S.

REV	BY	DESCRIPTION	DATE	THIS DRAWING AND THE INFORMATION THEREIN IS CONFIDENTIAL AND THE PROPERTY OF POWER INTEGRITY CORP. THIS CONFIDENTIAL INFORMATION IS DISCLOSED TO YOU ON THE CONDITION THAT IT NOT BE DISCLOSED TO ANYONE OTHER THAN A POWER INTEGRITY EMPLOYEE AND NOT BE REPRODUCED IN WHOLE OR IN PART WITHOUT THE WRITTEN AUTHORIZATION OF POWER INTEGRITY CORPORATION.	TOLERANCES UNLESS OTHERWISE SPECIFIED .XX=±.005 .XX=±.015 .X=±.03 FRACTIONS=± 1/64 DEGREES=±2° DIMENSIONS IN INCHES	POWER INTEGRITY Corporation 1834 PEMBROKE ROAD GREENSBORO, N.C. 27408 PH: 336-379-9773 FAX: 336-379-1301 www.powerintegritycorp.com	DESCRIPTION: Dispenser Wiring Connection EXTENDED DESC.: Application Drawing for DDS-ERSxxD Secondary Disconnect for Ethernet to Dispensers (Rackmount) SCALE: N.T.S. DATE: 10/13/2011 SHEET: 2 of 3 P/N: DDS-ERSxxD REV. B
O	JF	New Release	10/13/2011				
A	JF	Add Page 2	09/06/2012				
B	JA	Add Page 3 & Text Updates	07/02/2013				
-	-	-	-				
-	-	-	-				
-	-	-	-				

**SECONDARY
LOW VOLTAGE DISPENSER WIRING
DISCONNECT
For Dispensers 1-8 CAT5
Power Integrity Model: DDS-ERS8D**



Left Side (Wiring Cover Removed)



Right Side (Wiring Cover Removed)

1 Typical Wiring Connections
SCALE: NTS

Secondary Low Voltage Disconnect - CAT5 Model: (DDS-ERS8D)

Install Equipment:

- Securely attach to the wall using appropriate fasteners.

Make Connections:

- Identify the wires connected to each dispenser or fueling positions.
- There is 1 Ethernet cable per dispenser.
- All Ethernet CAT wiring from a dispenser must be connected to the same channel of the Secondary Disconnect as controlled by the associated disconnect switch located in the primary disconnect. This can be verified by the response of the channel indicators to the operation of the disconnect switch in the primary disconnect.

Connect DB9 Control Cable:

- The Secondary Disconnects are powered and controlled by the Primary Disconnect by using a DB9 control cable.
- Connect the DB9 cable provide with the Secondary Disconnect to the Control Out connector of the Primary
- Disconnect or a previous Secondary Disconnect and the Control In connector of the Secondary Disconnect.

Step - 1: Connect the wiring from the dispenser to the DDS:

- Connect an Ethernet patch cable from the Dispenser #1 Port in the Patch Panel to the #1 position jack in the back of the Secondary Disconnect.

Step - 2: Connect the wiring from the DDS to the Network Router

- Connect an Ethernet patch cable from the #1 Position Jack on the front of the Secondary Disconnect to the network router.
- Repeat steps 1 and 2 listed above to connect the remaining fuel dispensers.

REV	BY	DESCRIPTION	DATE	<p>THIS DRAWING AND THE INFORMATION THEREIN IS CONFIDENTIAL AND THE PROPERTY OF POWER INTEGRITY CORP. THIS CONFIDENTIAL INFORMATION IS DISCLOSED TO YOU ON THE CONDITION THAT IT NOT BE DISCLOSED TO ANYONE OTHER THAN A POWER INTEGRITY EMPLOYEE AND NOT BE REPRODUCED IN WHOLE OR IN PART WITHOUT THE WRITTEN AUTHORIZATION OF POWER INTEGRITY CORPORATION.</p>	<p>TOLERANCES UNLESS OTHERWISE SPECIFIED .XXX=±.005 .XX=±.015 .X=±.03 FRACTIONS=± 1/64 DEGREES=±2° DIMENSIONS IN INCHES</p>	<p>POWER INTEGRITY Corporation 1834 PEMBROKE ROAD GREENSBORO, N.C. 27408 PH: 336-379-9773 FAX: 336-379-1301 www.powerintegritycorp.com</p>	DESCRIPTION: Dispenser Wiring Connection		
O	JF	New Release	10/13/2011				EXTENDED DESC.: Application Drawing for DDS-ERSxxD Secondary Disconnect for Ethernet to Dispensers (Rackmount)		
A	JF	Add Page 2	09/06/2012				SCALE: N.T.S. DATE: 10/13/2011 SHEET: 3 of 3		
B	JA	Add Page 3 & Text Updates	07/02/2013				P/N: DDS-ERSxxD REV. B		
-	-	-	-						
-	-	-	-						