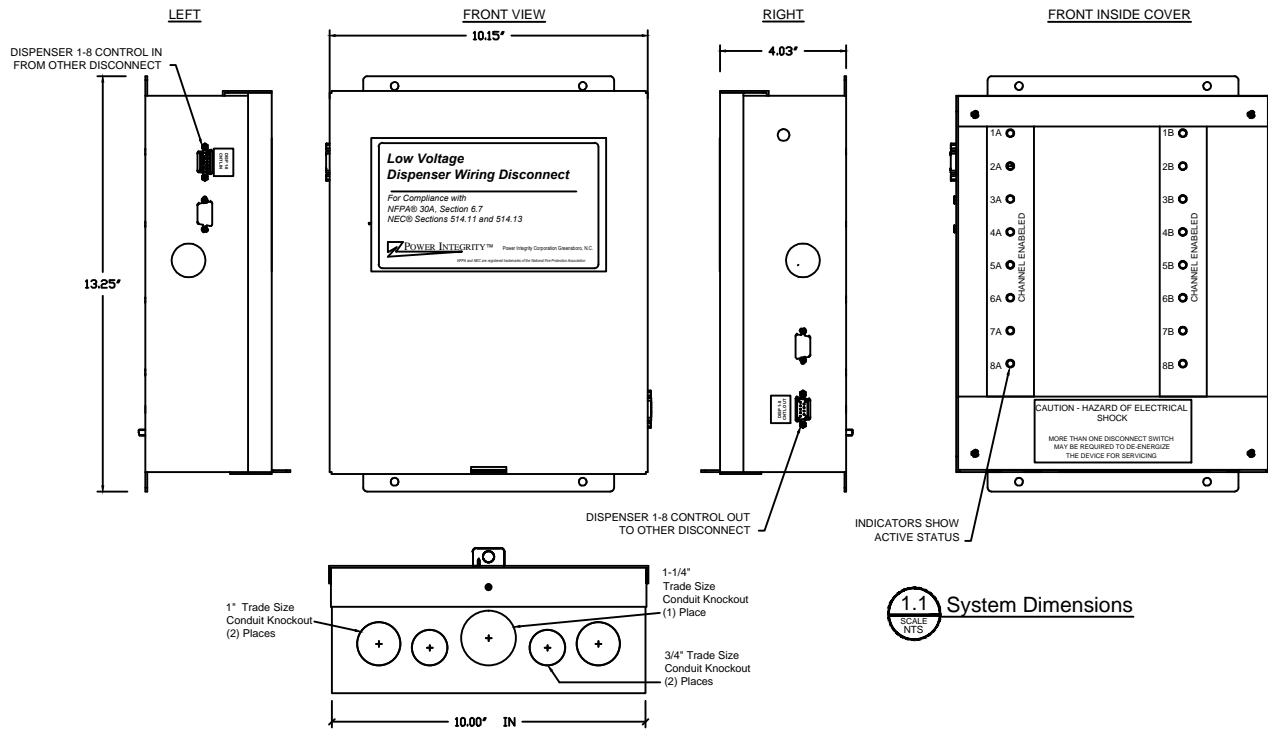


P/N DDS-8DA44CE
 Ref 91-0021



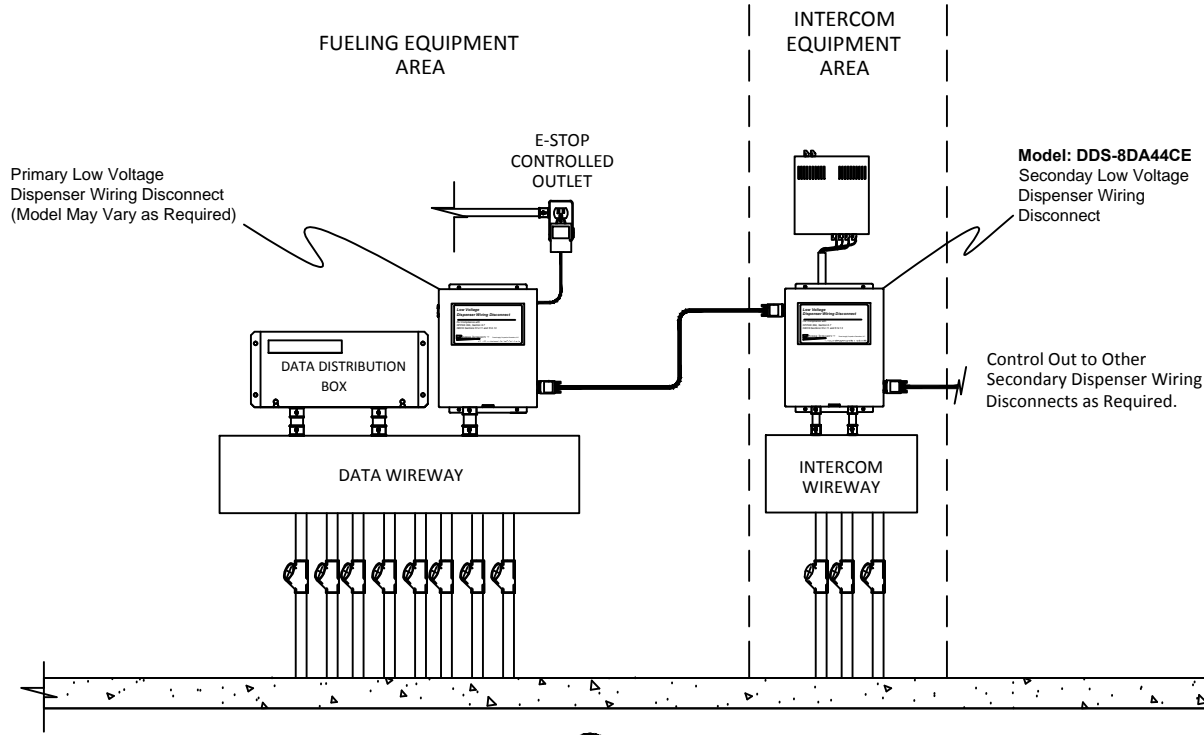
Model Description
 DDS-8DA44CE Secondary, Low Voltage Dispenser Wiring Disconnect for 8 Wires Per 8 Dispensers

REV	BY	DESCRIPTION	DATE	THIS DRAWING AND THE INFORMATION THEREIN IS CONFIDENTIAL AND THE PROPERTY OF POWER INTEGRITY CORP. THIS CONFIDENTIAL INFORMATION IS DISCLOSED TO YOU ON THE CONDITION THAT IT NOT BE DISCLOSED TO ANYONE OTHER THAN A POWER INTEGRITY EMPLOYEE AND NOT BE REPRODUCED IN WHOLE OR IN PART WITHOUT THE WRITTEN AUTHORIZATION OF POWER INTEGRITY CORPORATION.	TOLERANCES UNLESS OTHERWISE SPECIFIED .XXX=±.005 .XX=±.015 .X=±.03 FRACTIONS=± 1/64 DEGREES=±2° DIMENSIONS IN INCHES	POWER INTEGRITY Corporation 1834 PEMBROKE ROAD GREENSBORO, N.C. 27408 PH: 336-379-9773 FAX: 336-379-1301 www.powerintegritycorp.com	DESCRIPTION: Dispenser Wiring Disconnect EXTENDED DESC.: Application Drawing for DDS-8DA44CE 8 Dispenser, 2 x 4 Wire Secondary Low Voltage Disconnect SCALE: N.T.S. DATE: 04/24/12 SHEET: 1 of 3 P/N: DDS-8DA44CE REV. O.3
0	JAF	New Release	04/24/2012				
0.1	JAF	Label DDSs	10/31/2012				
0.2	JA	Text Corrections	06/26/2013				
0.3	JAF	Revise Label SH3	06/02/14				

REV. 9/13/2012

P/N DDS-8DA44CE

Ref 91-0021



1 Typical Elevation
SCALE NTS

REV	BY	DESCRIPTION	DATE
0	JAF	New Release	04/24/2012
0.1	JAF	Label DDSs	10/31/2012
0.2	JA	Text Corrections	06/26/2013
0.3	JAF	Revise Label SH3	06/02/14
.	.	.	.
.	.	.	.

THIS DRAWING AND THE INFORMATION THEREIN IS CONFIDENTIAL AND THE PROPERTY OF POWER INTEGRITY CORP. THIS CONFIDENTIAL INFORMATION IS DISCLOSED TO YOU ON THE CONDITION THAT IT NOT BE DISCLOSED TO ANYONE OTHER THAN A POWER INTEGRITY EMPLOYEE AND NOT BE REPRODUCED IN WHOLE OR IN PART WITHOUT THE WRITTEN AUTHORIZATION OF POWER INTEGRITY CORPORATION.

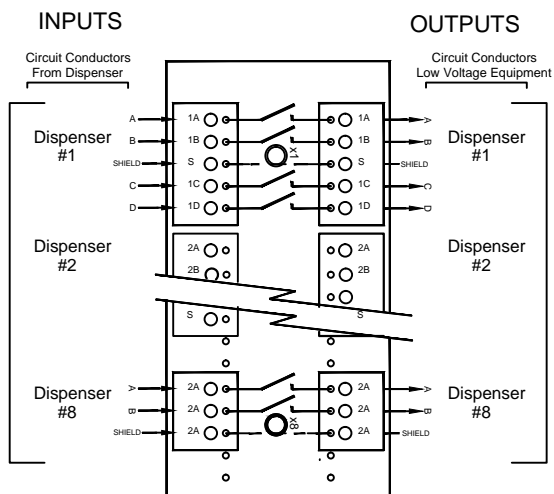
TOLERANCES UNLESS OTHERWISE SPECIFIED
 .XXX=±.005
 .XX=±.015
 .X=±.03
 FRACTIONS=±1/64
 DEGREES=±2°
 DIMENSIONS IN INCHES

POWER INTEGRITY
 Corporation
 1834 PEMBROKE ROAD
 GREENSBORO, N.C. 27408
 PH: 336-379-9773
 FAX: 336-379-1301
 www.powerintegritycorp.com

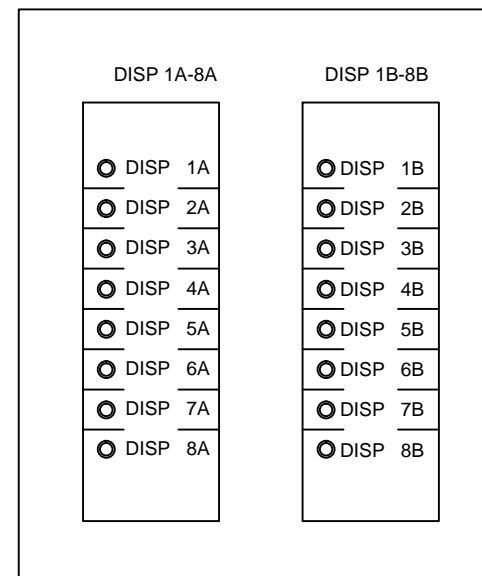
DESCRIPTION: Dispenser Wiring Disconnect		
EXTENDED DESC.: Application Drawing for DDS-8DA44CE 8 Dispenser, 2 x 4 Wire Secondary Low Voltage Disconnect		
SCALE: N.T.S	DATE: 04/24/12	SHEET: 2 of 3
P/N: DDS-8DA44CE		REV: O.3

REV. 9/13/2012

P/N DDS-8DA44CE
 Ref 91-0021



- (1) This product is a "Secondary" expansion disconnect to be used with a "Primary" DDS- product from Power Integrity Corp.
- (2) Mount the unit in a location convenient to the low voltage wiring to be disconnected by this device.
- (3) Connect the low voltage conductors from the dispensers to the input terminals on the disconnect board. Be sure to match the conductors to the corresponding channel of the primary disconnect servicing the same dispenser.
- (4) Connect the low voltage conductors from the output terminals of the disconnect board to the low voltage equipment servicing the dispenser.
- (5) Connect a DB9 control extension cable from the Primary Disconnect or another Secondary Disconnect's "Control Output" to the Control Input of this device.



1 System Wiring
 SCALE: N.T.S.

REV	BY	DESCRIPTION	DATE	THIS DRAWING AND THE INFORMATION THEREIN IS CONFIDENTIAL AND THE PROPERTY OF POWER INTEGRITY CORP. THIS CONFIDENTIAL INFORMATION IS DISCLOSED TO YOU ON THE CONDITION THAT IT NOT BE DISCLOSED TO ANYONE OTHER THAN A POWER INTEGRITY EMPLOYEE AND NOT BE REPRODUCED IN WHOLE OR IN PART WITHOUT THE WRITTEN AUTHORIZATION OF POWER INTEGRITY CORPORATION.	TOLERANCES UNLESS OTHERWISE SPECIFIED .XXX=±.005 .XX=±.015 .X=±.03 FRACTIONS=± 1/64 DEGREES=±2° DIMENSIONS IN INCHES	POWER INTEGRITY Corporation 1834 PEMBROKE ROAD GREENSBORO, N.C. 27408 PH: 336-379-9773 FAX: 336-379-1301 www.powerintegritycorp.com	DESCRIPTION: Dispenser Wiring Disconnect EXTENDED DESC.: Application Drawing for DDS-8DA44CE 8 Dispenser, 2 x 4 Wire Secondary Low Voltage Disconnect
0	JAF	New Release	04/24/2012				
0.1	JAF	Label DDSs	10/31/2012				
0.2	JA	Text Corrections	06/26/2013				
0.3	JAF	Revise Label SH3	06/02/14				

REV. 9/13/2012

SCALE: N.T.S. DATE: 04/24/12 SHEET: 3 of 3
 P/N: DDS-8DA44CE REV. O.3