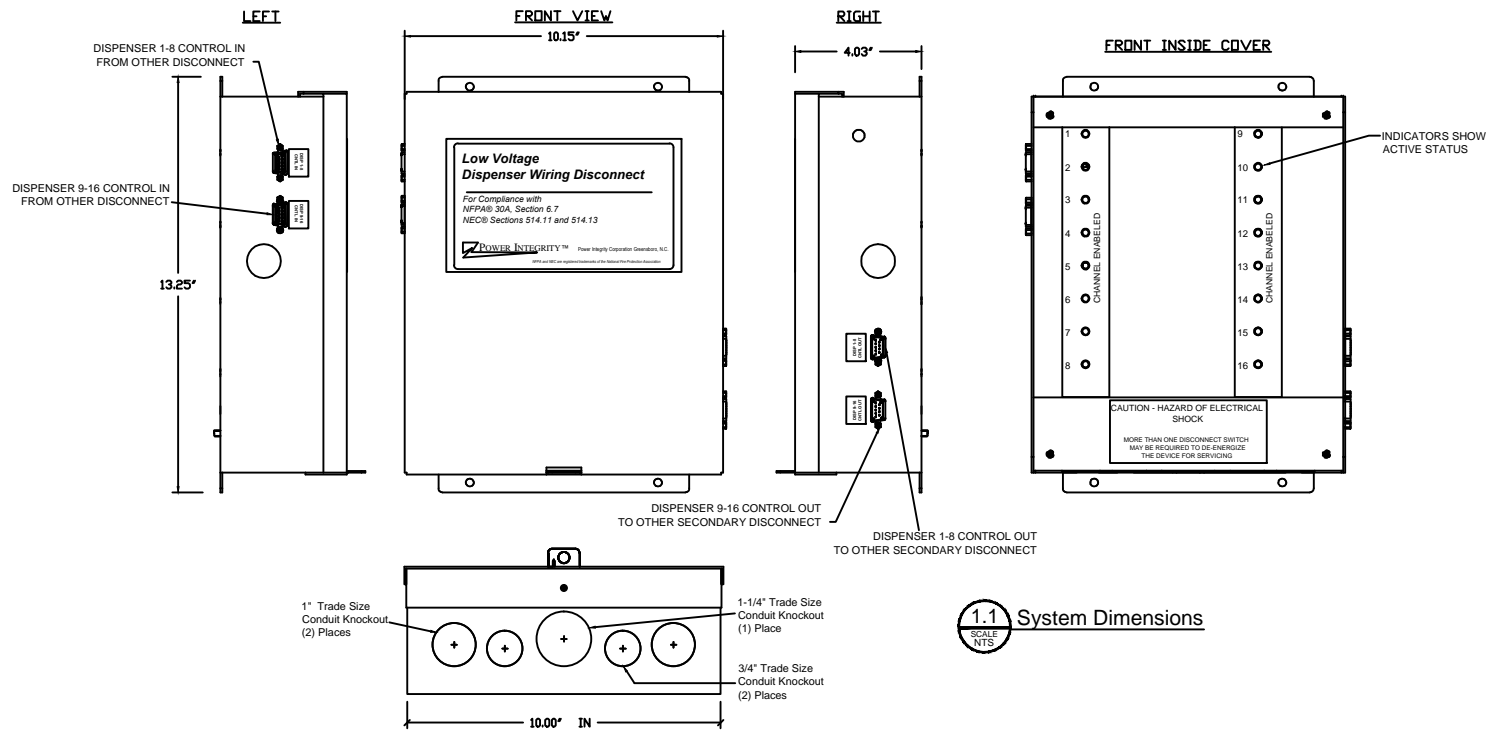


P/N **DDS-16A4CE**
 Ref **91-0023**



1.1 System Dimensions
 SCALE: N.T.S.

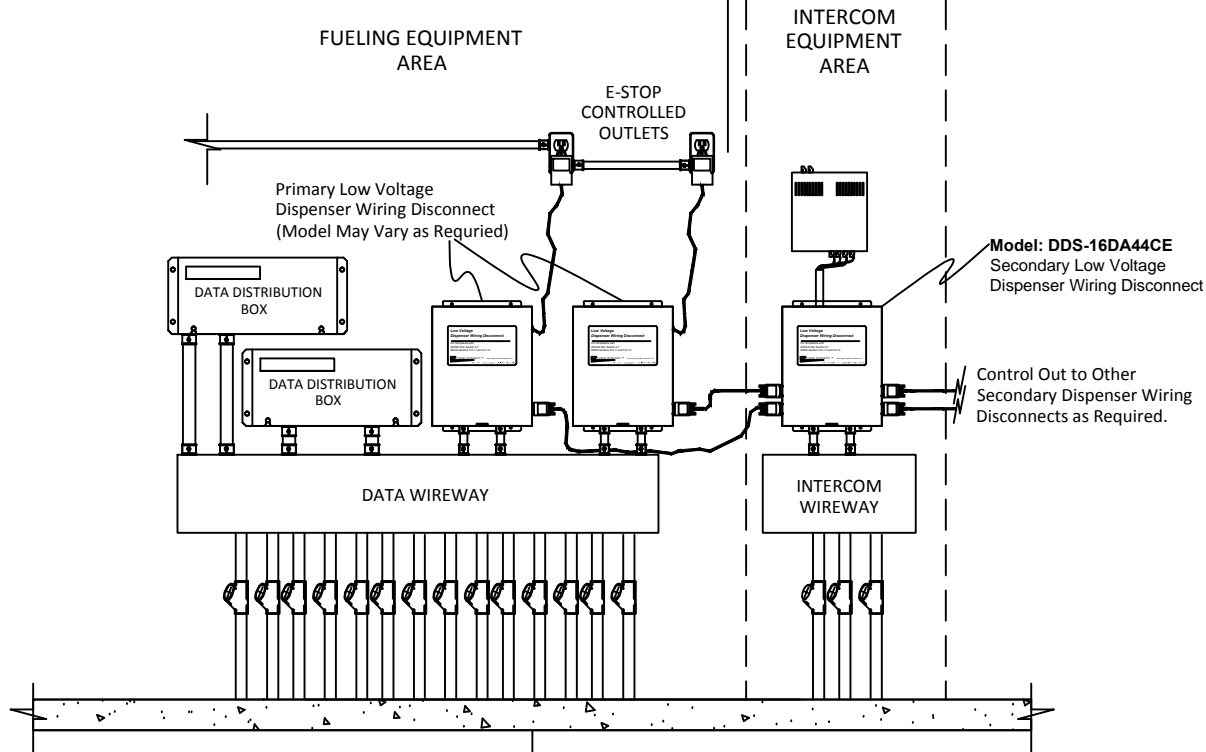
Model: DDS-16DA4CE

Description: Secondary, Low Voltage Disconnect for 4 Wires Per 16 Dispensers

REV	BY	DESCRIPTION	DATE	<p>THIS DRAWING AND THE INFORMATION THEREIN IS CONFIDENTIAL AND THE PROPERTY OF POWER INTEGRITY CORP. THIS CONFIDENTIAL INFORMATION IS DISCLOSED TO YOU ON THE CONDITION THAT IT NOT BE DISCLOSED TO ANYONE OTHER THAN A POWER INTEGRITY EMPLOYEE AND NOT BE REPRODUCED IN WHOLE OR IN PART WITHOUT THE WRITTEN AUTHORIZATION OF POWER INTEGRITY CORPORATION.</p>	<p>TOLERANCES UNLESS OTHERWISE SPECIFIED .XX=±.005 .X=±.015 .X=±.03 FRACTIONS=± 1/64 DEGREES=±2° DIMENSIONS IN INCHES</p>	<p>POWER INTEGRITY Corporation 1834 PEMBROKE ROAD GREENSBORO, N.C. 27408 PH: 336-379-9773 FAX: 336-379-1301 www.powerintegritycorp.com</p>	DESCRIPTION: Dispenser Wiring Disconnect		
0	JAF	New Release	10/12/2012				EXTENDED DESC.: Application Drawing for DDS-16DA4CE 16 Dispenser, 4 Wire Secondary Low Voltage Disconnect		
0.1	JA	Text Corrections	06/26/2013				SCALE: N.T.S. DATE: 10/32/2012 SHEET: 1 of 3		
-	-	-	-				P/N: DDS-16DA4CE REV. O.1		
-	-	-	-						
-	-	-	-						
-	-	-	-						

REV. 9/13/2012

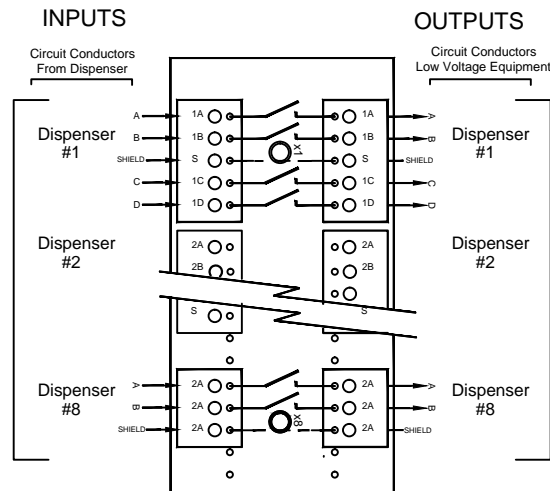
P/N DDS-16A4CE
Ref 91-0023



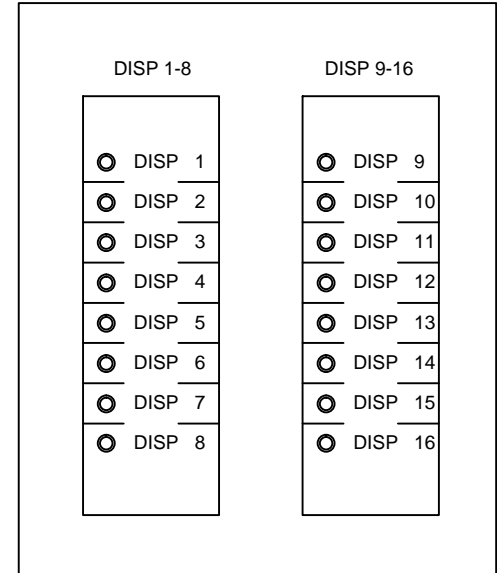
1 Typical Elevation
SCALE: N.T.S.

REV	BY	DESCRIPTION	DATE	THIS DRAWING AND THE INFORMATION THEREIN IS CONFIDENTIAL AND THE PROPERTY OF POWER INTEGRITY CORP. THIS CONFIDENTIAL INFORMATION IS DISCLOSED TO YOU ON THE CONDITION THAT IT NOT BE DISCLOSED TO ANYONE OTHER THAN A POWER INTEGRITY EMPLOYEE AND NOT BE REPRODUCED IN WHOLE OR IN PART WITHOUT THE WRITTEN AUTHORIZATION OF POWER INTEGRITY CORPORATION.	TOLERANCES UNLESS OTHERWISE SPECIFIED .XX=±.005 .XX=±.015 .X=±.03 FRACTIONS=±1/64 DEGREES=±2° DIMENSIONS IN INCHES	POWER INTEGRITY Corporation 1834 PEMBROKE ROAD GREENSBORO, N.C. 27408 PH: 336-379-9773 FAX: 336-379-1301 www.powerintegritycorp.com	DESCRIPTION: Dispenser Wiring Disconnect EXTENDED DESC.: Application Drawing for DDS-16DA4CE 16 Dispenser, 4 Wire Secondary Low Voltage Disconnect
0	JAF	New Release	10/12/2012				SCALE: N.T.S. DATE: 10/32/2012 SHEET: 2 of 3
0.1	JA	Text Corrections	06/26/2013				P/N: DDS-16DA4CE REV. O.1

REV. 9/13/2012



- (1) This product is a "Secondary" expansion disconnect to be used with a "Primary" DDS- product from Power Integrity Corp.
- (2) Mount the unit in a location convenient to the low voltage wiring to be disconnected by this device.
- (3) Connect the low voltage conductors from the dispensers to the input terminals on the disconnect board. Be sure to match the conductors to the corresponding channel of the primary disconnect servicing the same dispenser.
- (4) Connect the low voltage conductors from the output terminals of the disconnect board to the low voltage equipment servicing the dispenser.
- (5) Connect a DB9 control extension cable from the Primary Disconnect or another Secondary Disconnect's "Control Output" to the Control Input of this device.



1 System Wiring
SCALE: NTS

REV	BY	DESCRIPTION	DATE	THIS DRAWING AND THE INFORMATION THEREIN IS CONFIDENTIAL AND THE PROPERTY OF POWER INTEGRITY CORP. THIS CONFIDENTIAL INFORMATION IS DISCLOSED TO YOU ON THE CONDITION THAT IT NOT BE DISCLOSED TO ANYONE OTHER THAN A POWER INTEGRITY EMPLOYEE AND NOT BE REPRODUCED IN WHOLE OR IN PART WITHOUT THE WRITTEN AUTHORIZATION OF POWER INTEGRITY CORPORATION.	TOLERANCES UNLESS OTHERWISE SPECIFIED .XXX=±.005 .XX=±.015 .X=±.03 FRACTIONS=±1/64 DEGREES=±2° DIMENSIONS IN INCHES	POWER INTEGRITY Corporation 1834 PEMBROKE ROAD GREENSBORO, N.C. 27408 PH: 336-379-9773 FAX: 336-379-1301 www.powerintegritycorp.com	DESCRIPTION: Dispenser Wiring Disconnect EXTENDED DESC.: Application Drawing for DDS-16DA4CE 16 Dispenser, 4 Wire Secondary Low Voltage Disconnect SCALE: N.T.S. DATE: 10/32/2012 SHEET: 3 of 3 P/N: DDS-16DA4CE REV. O.1
0	JAF	New Release	10/12/2012				
0.1	JA	Text Corrections	06/26/2013				
.	.	.	.				
.	.	.	.				
.	.	.	.				
.	.	.	.				