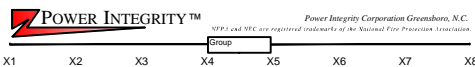


P/N **DDS-8DB4C**  
 Ref **91-0029**

**Low Voltage Dispenser Wiring Disconnect**  
 For Compliance with NFPA® 90A, Section 6.7 and NEC® Sections 514.11 and 514.13



**CONTROL INPUT**  
 Control Input from Primary Dispenser Wiring Disconnect Solution Control Cabinet.. DB9 (Male)

**INDICATORS**  
 Status Indicators Show Active Channels

**1.1 System Dimensions**  
 SCALE N.T.S.

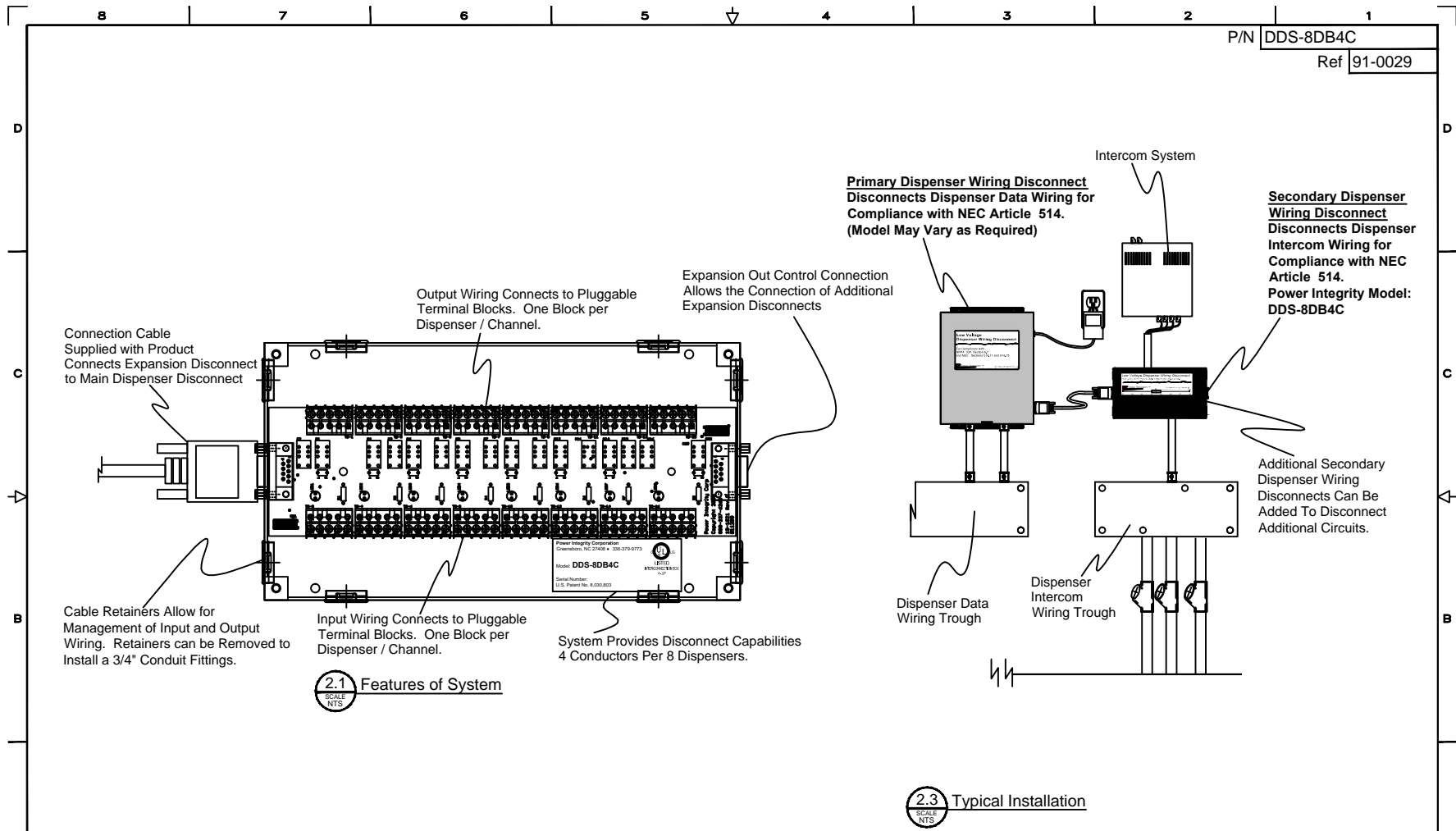
Model: **DDS-8DB4C**

Description: **Low Voltage Wiring Disconnect, 4 Conductor Circuit with Shield for 8 Dispensers / Channels**

REV	BY	DESCRIPTION	DATE	THIS DRAWING AND THE INFORMATION THEREIN IS CONFIDENTIAL AND THE PROPERTY OF POWER INTEGRITY CORP. THIS CONFIDENTIAL INFORMATION IS DISCLOSED TO YOU ON THE CONDITION THAT IT NOT BE DISCLOSED TO ANYONE OTHER THAN A POWER INTEGRITY EMPLOYEE AND NOT BE REPRODUCED IN WHOLE OR IN PART WITHOUT THE WRITTEN AUTHORIZATION OF POWER INTEGRITY CORPORATION.	TOLERANCES UNLESS OTHERWISE SPECIFIED .XXX=±.005 .XX=±.015 .X=±.03 FRACTIONS=±1/64 DEGREES=±2° DIMENSIONS IN INCHES	 <b>1834 PEMBROKE ROAD</b> <b>GREENSBORO, N.C. 27408</b>  PH: 800-237-6260 FAX: 336-379-1301 WEB SITE: <a href="http://pico.cc">pico.cc</a> E-MAIL: <a href="mailto:info@pico.cc">info@pico.cc</a>	<b>DESCRIPTION: Dispenser Wiring Disconnect Solution</b>  <b>EXTENDED DESC.:</b> <b>Expansion Dispenser Wiring Disconnect Solution for Low Voltage Circuits</b>
0	BF	New Release From 91-0004	1-22-2013				
A	JA	Add Page 3 & Remove 2.2 Reference	06/24/2013				
.	.	.	.				
.	.	.	.				
.	.	.	.				
SCALE: N.T.S.		DATE: 1-22-13		SHEET: 1 of 3			
P/N: DDS-8DB4C		REV. A					

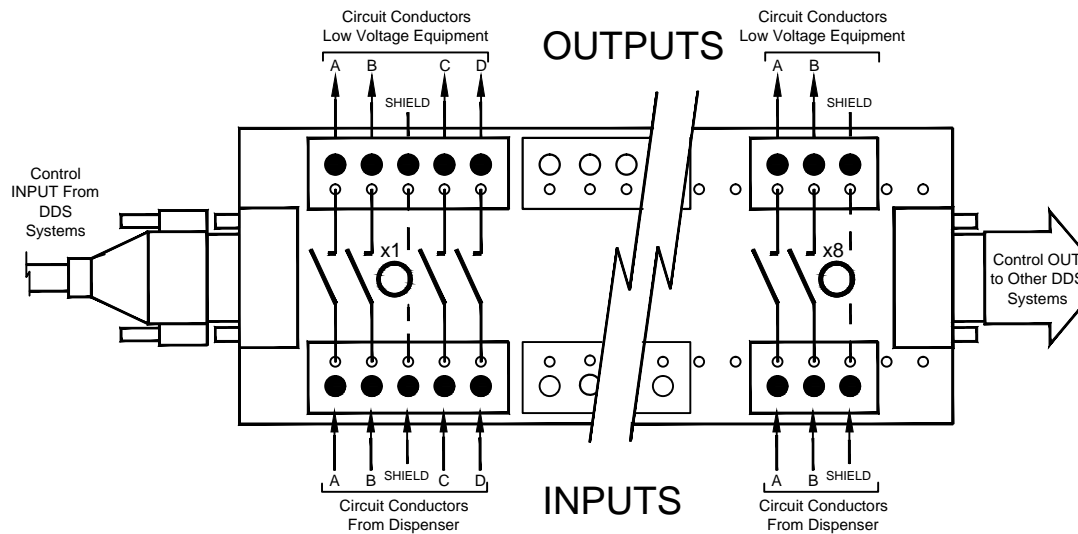
P/N DDS-8DB4C

Ref 91-0029



REV	BY	DESCRIPTION	DATE	THIS DRAWING AND THE INFORMATION THEREIN IS CONFIDENTIAL AND THE PROPERTY OF POWER INTEGRITY CORP. THIS CONFIDENTIAL INFORMATION IS DISCLOSED TO YOU ON THE CONDITION THAT IT NOT BE DISCLOSED TO ANYONE OTHER THAN A POWER INTEGRITY EMPLOYEE AND NOT BE REPRODUCED IN WHOLE OR IN PART WITHOUT THE WRITTEN AUTHORIZATION OF POWER INTEGRITY CORPORATION.	TOLERANCES UNLESS OTHERWISE SPECIFIED .XXX=±.005 .XX=±.015 .X=±.03 FRACTIONS=±1/64 DEGREES=±2' DIMENSIONS IN INCHES	POWER INTEGRITY Corporation 1834 PEMBROKE ROAD GREENSBORO, N.C. 27408 PH: 800-237-6260 FAX: 336-379-1301 WEB SITE: pico.cc E-MAIL: info@pico.cc	DESCRIPTION: Dispenser Wiring Disconnect Solution EXTENDED DESC.: Expansion Dispenser Wiring Disconnect Solution for Low Voltage Circuits
O	BF	New Release From 91-0004	01-22-2013				SCALE: N.T.S. DATE: 01-22-2013 SHEET: 2 of 3
A	JA	Add Page 3 & Remove 2.2 Reference	06/24/2013				P/N: DDS-8DB4C REV. A

REV. 3/9/2004



### Expansion Dispenser Wiring Disconnect for Low Voltage Circuits

- (1) This product is an expansion disconnect to be used with a DDS- "Dispenser Wiring Disconnect Solution".
- (2) Mount the unit in a location convenient to the low voltage wiring to be controlled and to the "Dispenser Wiring Disconnect Solution".
- (3) Connect the low voltage circuit conductors from the dispensers to the input terminals. Be sure to match the dispenser circuit to the input/output terminal set.
- (4) Connect the low voltage circuit conductors from the output terminals to the low voltage equipment.
- (5) Connect a DB9 extension cable from the controlling Dispenser Wiring Disconnect Solution to the "Control Input".
- (6) If additional expansion disconnects are to be used connect them to the Control Output.

**3.1** Installation Procedure  
SCALE N.T.S.

REV	BY	DESCRIPTION	DATE	<p>THIS DRAWING AND THE INFORMATION THEREIN IS CONFIDENTIAL AND THE PROPERTY OF POWER INTEGRITY CORP. THIS CONFIDENTIAL INFORMATION IS DISCLOSED TO YOU ON THE CONDITION THAT IT NOT BE DISCLOSED TO ANYONE OTHER THAN A POWER INTEGRITY EMPLOYEE AND NOT BE REPRODUCED IN WHOLE OR IN PART WITHOUT THE WRITTEN AUTHORIZATION OF POWER INTEGRITY CORPORATION.</p>	<p>TOLERANCES UNLESS OTHERWISE SPECIFIED            .XXX=±.005            .XX=±.015            .X=±.03            FRACTIONS=± 1/64            DEGREES=±2°            DIMENSIONS IN INCHES</p>	<p><b>POWER INTEGRITY</b>  <small>Corporation</small>            1834 PEMBROKE ROAD            GREENSBORO, N.C. 27408            PH: 800-237-6260            FAX: 336-379-1301            WEB SITE: <a href="http://pico.cc">pico.cc</a>            E-MAIL: <a href="mailto:info@pico.cc">info@pico.cc</a></p>	DESCRIPTION: Dispenser Wiring Disconnect Solution		
0	BF	New Release From 91-0004	01-22-2013				EXTENDED DESC.: Expansion Dispenser Wiring Disconnect Solution for Low Voltage Circuits		
A	JA	Add Page 3 & Remove 2.2 Reference	06/24/2013				SCALE: N.T.S.      DATE: 01-22-2013      SHEET: 3 of 3		
-	-	-	-				P/N: DDS-8DB4C      REV. A		
-	-	-	-						
-	-	-	-						
-	-	-	-						