

Emergency Stop Solutions for Fueling Sites

Emergency Stop Controls are required by the National Electrical Code at ALL fueling facilities. Power Integrity offers a full line of emergency stop operators to meet your site requirements.



IA-ESOCA
Emergency Stop Operator
with Cover & Alarm

Emergency Stop Operators

- Available in momentary, twist-to-reset, key-to-reset, and break glass configurations
- Clear tamperproof cover protects against accidental activation, damage, and vandalism
- Optional alarm protects against nuisance activation
- Standard operator includes (1) NO and (1) NC contact
- Custom labeling available

Cashier Control Stations

- Allow employees to activate emergency stop system without leaving the cashier area
- Standard configuration includes
 - Emergency stop pushbutton
 - Emergency stop system reset pushbutton
- Available with optional lighting bypass switch
- Custom configurations available including
 - Product status lights
 - Timed lighting override
 - Individual dispenser shut-down



IA-ESORS
Cashier Control Station with
Protective Shroud

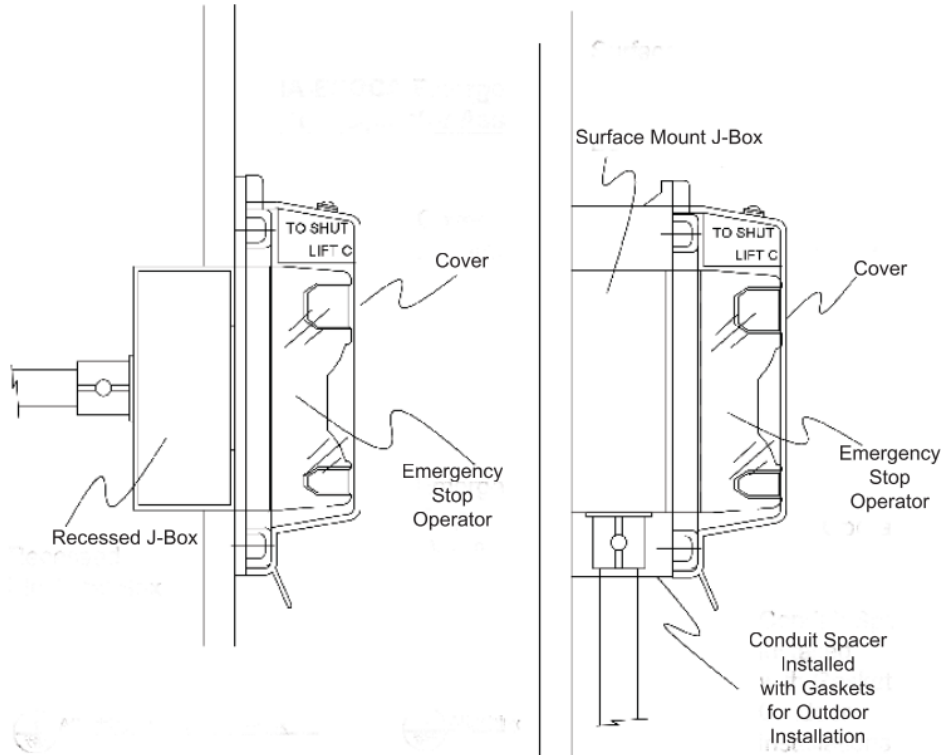


Power • Control • Protect



Power Integrity Corporation
1834 Pembroke Road
Greensboro, NC 27408
336.379.9773
www.powerintegritycorp.com

Typical Emergency Stop Installation



Attaching to Recessed Junction Box

Attaching to Surface Mount Junction Box

Emergency Stop Operators - Outdoor Rated	
IA-ESOC	Emergency stop operator with lift-up clear cover
IA-ESOCA	Emergency stop operator with lift-up clear cover and alarm
IA-ESOC/T	Emergency stop operator, twist to release with lift-up clear cover
IA-ESOCAT	Emergency stop operator, twist to release with lift-up clear cover and alarm
IA-ESOCK	Emergency stop operator, keyed reset with lift-up clear cover
IA-ESOG	Emergency stop operator with "Break Glass", hammer, and (5) replacement discs
Emergency Stop Operator Accessories	
IA-ESPLATE	Emergency stop operator mounting plate with "emergency fuel shutoff" nameplate
IA-BREKTAB	Locking mechanism block with (5) one-time use breakaway seals
Cashier Control Stations - Indoor Rated	
IA-ESORS	Cashier control with emergency stop button with shroud to prevent accidental pressing, and reset button
IA-ESORLS	Cashier control with emergency stop button with shroud to prevent accidental pressing, reset button, and light control bypass switch
Emergency Stop Operator Lift-Up Covers	
IA-PBCOVSA	Small lift-up clear cover with alarm for e-stop operators, 5.5"W x 7.0"H (Yellow)
IA-PBCOVS	Small lift-up clear cover for e-stop operators, 5.5"W x 7.0"H (Yellow)
IA-PBCOVLAR	Large lift-up clear cover with alarm for e-stop operators 7.0"W x 9.0"H (Red)

www.powerintegritycorp.com